

# EMG-15ASB Series Servo Motor



## FEATURES

- 220 VAC
- **Rated Torque of 1013 oz-in**
- **1500 Watt Power Rating**
- **Rated Speed 2000 RPM**
- **Maximum Speed 3000 RPM**
- **Peak Torque up to 300% of Rated Torque**
- **Peak Current up to 300% of Rated Current**
- **131,072 PPR Absolute Encoder Attached**
- **Enclosed and Self-Cooled**
- **Brake Option Available**
- **CE Certified**



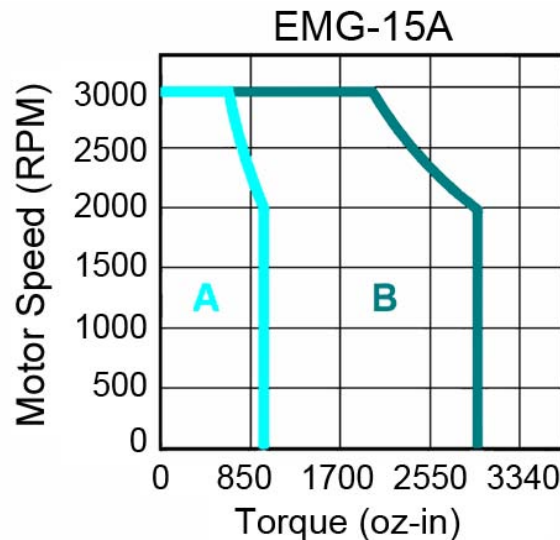
## DESCRIPTION

Anaheim Automation's Digital AC Servo Motors offer a simple solution to servo applications involving speed and positioning control. The EMG-15ASB Servo Motor comes standard with a 131,072 Pulses Per Revolution (PPR) Absolute Encoder, runs at a maximum speed of 3,000 RPM, provides peak values up to 300% of the rated torque and current values, and has a rated torque of 1013 oz-in with a 1500 Watt power rating. These enclosed and self-cooled motors also provide longer motor life and higher reliability. The EMG-15ASB Servo Motors enable industrial motion control applications to attain a great combination of speed and positioning functionality.

## SPECS

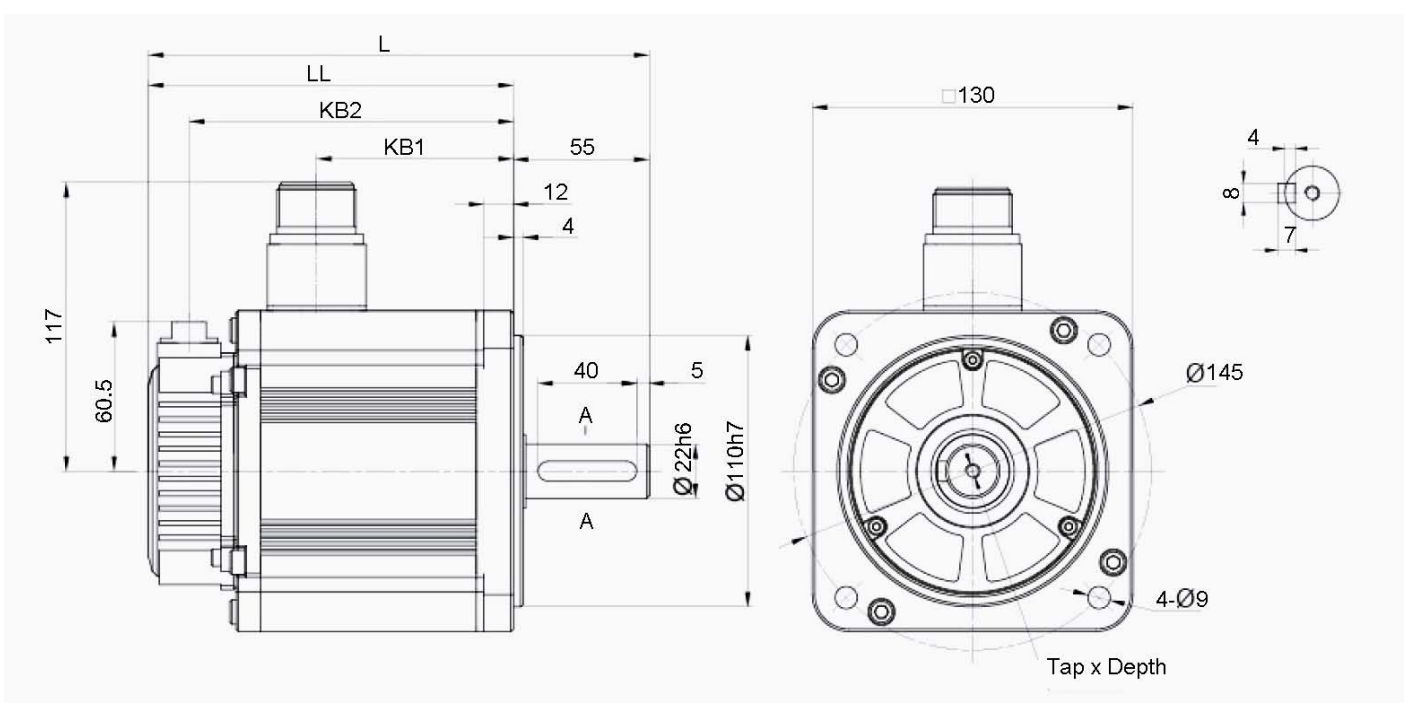
Model #	Rated Torque (oz-in)	Rated Power (Watts)	Rated Speed (RPM)	Max Speed (RPM)	Rated Current (A rms)	Brake (24VDC)	Inertia (oz-in-sec <sup>2</sup> )	Torque Constant $K_T$ (oz-in/A)	Resistance (ohms)	Inductance (mH)	Length (mm)	Weight (lbs)
EMG-15ASB22	1013	1500	2000	3000	8.2	No	0.26056	123.6	0.4	5	170	19.6
EMG-15ASB24	1013	1500	2000	3000	8.2	Yes	0.27614	123.6	0.4	5	212.5	22.9

## TORQUE CURVE



A: Continuous Working Area  
B: Repeatedly Working Area

L011596



Note: All Dimensions in millimeters

Model #	L	LL	KB1	KB2
EMG-15ASB22	225	170	102	153.5
EMG-15ASB24	267.5	212.5	125.2	196

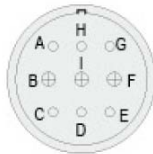
Note: the EMG-15ASB24 are Servo Motors with holding brakes.

**Encoder Connector Specification:**



Pin No.	Signal
1	S+
2	S-
3	BAT+
4	BAT-
7	PG0V
8	PG5V
10	FG

**Motor Connector Specification:**



Pin No.	Signal
A	-
B	U
C	FG
D	FG
E	-
F	W
G	B1
H	B2
I	V

*Note: There are no B1, B2 signals in motor without brake.*

Power Requirement: 220VAC	Vibration: 49 m/s <sup>2</sup>	Running Air Pressure: 86 to 106 kPa
Insulation Class: F	Ambient Temperature: 20% to 80% RH	Insulation Voltage Endurance: AC 1800C, 50Hz, 1 min
Ambient Temperature: 0°C to 40°C	Running Humidity: Not More Than 90%, Under 25°C	Insulation Impedance: Not Less Than 50M Under Normal Conditions
Running Temperature: -25°C to 40°C		

**Compatible Driver:**

Part Number	Description
PRONET-15AEA-EC	Servo Driver



**Compatible Cables:**

Part Number	Description
PDMB-GA14-05-II	Power/Brake Cable
PDM-GA16-05-II	Power Cable
PAP-GA24-05-II	Encoder Cable

